

## FOOD

# US-2000 TTP

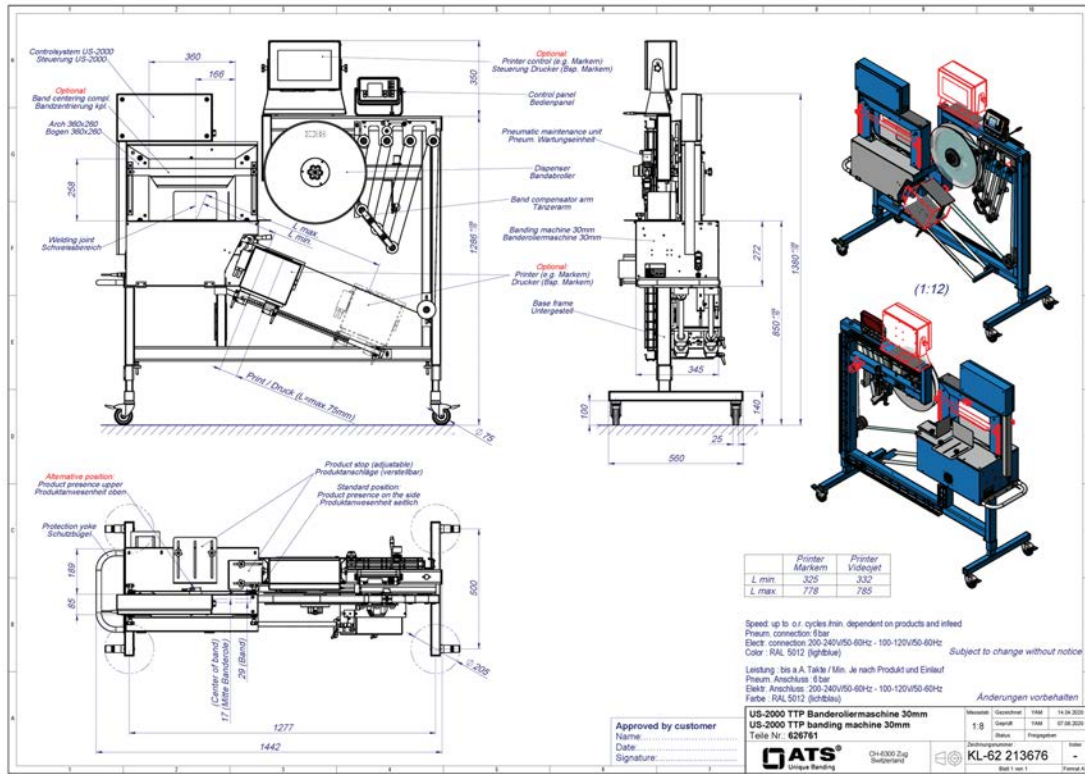


**ULTRASONIC**  
TECHNOLOGY



The all-purpose US-2000 TTP with intermittent thermal transfer printer prints variable information such as prices, weight, best-before date, batch number, ingredient lists or 1D and 2D codes directly onto the band during banding. Print mark readers enable precise placement of print images on pre-printed or unprinted bands. Print data can be configured via the easy-to-use user interface or transferred from an external source (e.g. database or scale) via an interface. The US-2000 TTP processes band widths of 30 mm, 50 mm or 60 mm, depending on the version.

- ✓ *Printing of variable information*
- ✓ *Up to 4 prints per band*
- ✓ *Maintenance free sensors*
- ✓ *Ultra-Sonic Technologie*



Optionally print mark control with display shows actual print data.

### Technical specifications

#### Bandwidth

30 , 50 , 60 mm

#### Weight

130 kg

#### Arch size

260 x 180 mm

360 x 260 mm

#### Air supply

6 bar



For optimal positioning of the print on the band and on the product, the printhead is adjustable easily.

More information

