

# OEM Convergents



**Jentonariana**

Excellence in food packaging automation





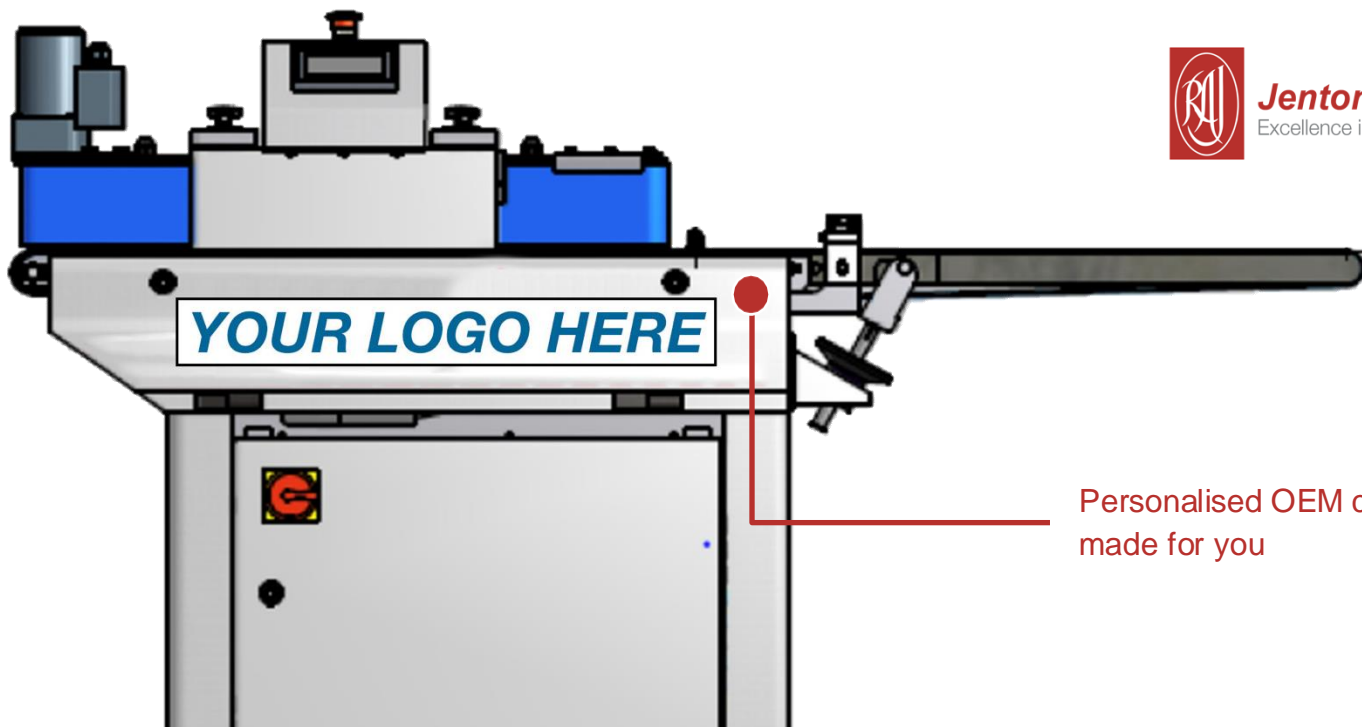
**JentonAriana**  
Excellence in food packaging automation

JentonAriana, bringing multi-lane into single lane reliably since 1988. The compact, economic and high speed solution for converging thermoformed packs into a single line.





**JentonAriana**  
Excellence in food packaging automation



With hundreds of Ariana convergers sold all around the world since the 1980s, JentonAriana can make convergers/Inliners for you! With up to 180 packs per minute on a standard machine there is no need for extra in-feed belts. Variants are available for wet or dry applications and integral pack turning can be included.

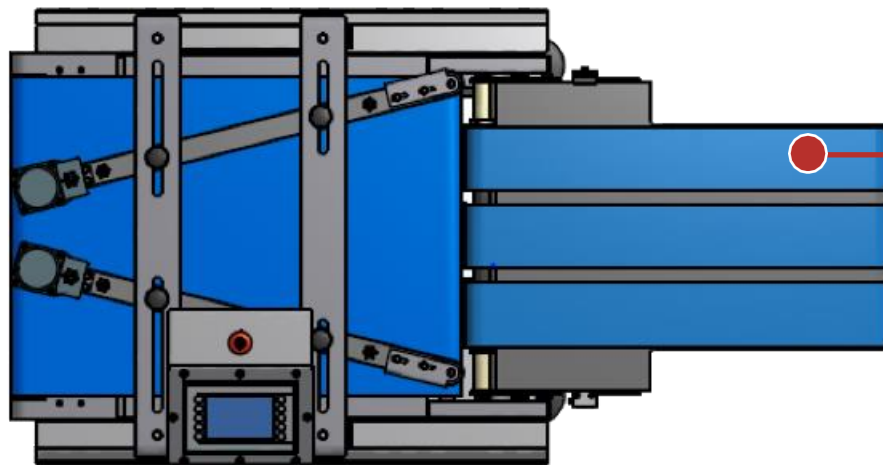
Convergers can be supplied for fixed lanes or switchable 2/3 lane or 2/3/4 lane or random infeed.



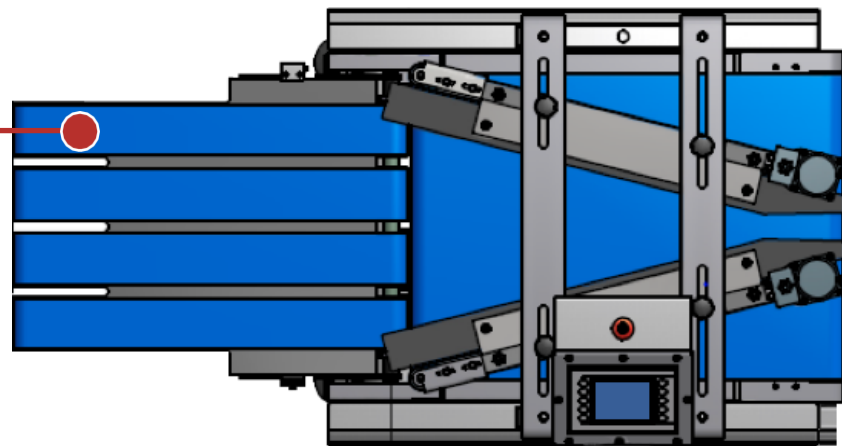
BCS 570 / 670 Convergex, 6 Belt,  
HMI Selectable 2/3/4 Lane.



**Jentonariana**  
Excellence in food packaging automation



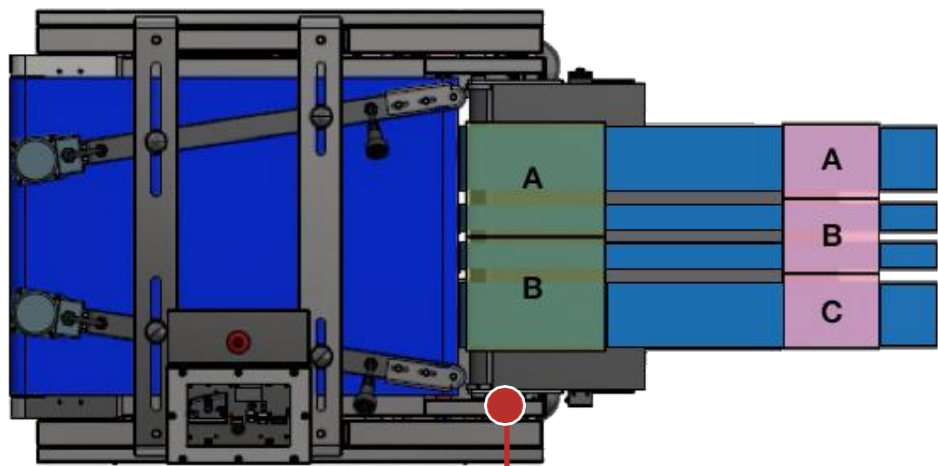
BCS 570 3 Lane Converger  
BCS 670 3 Lane Converger



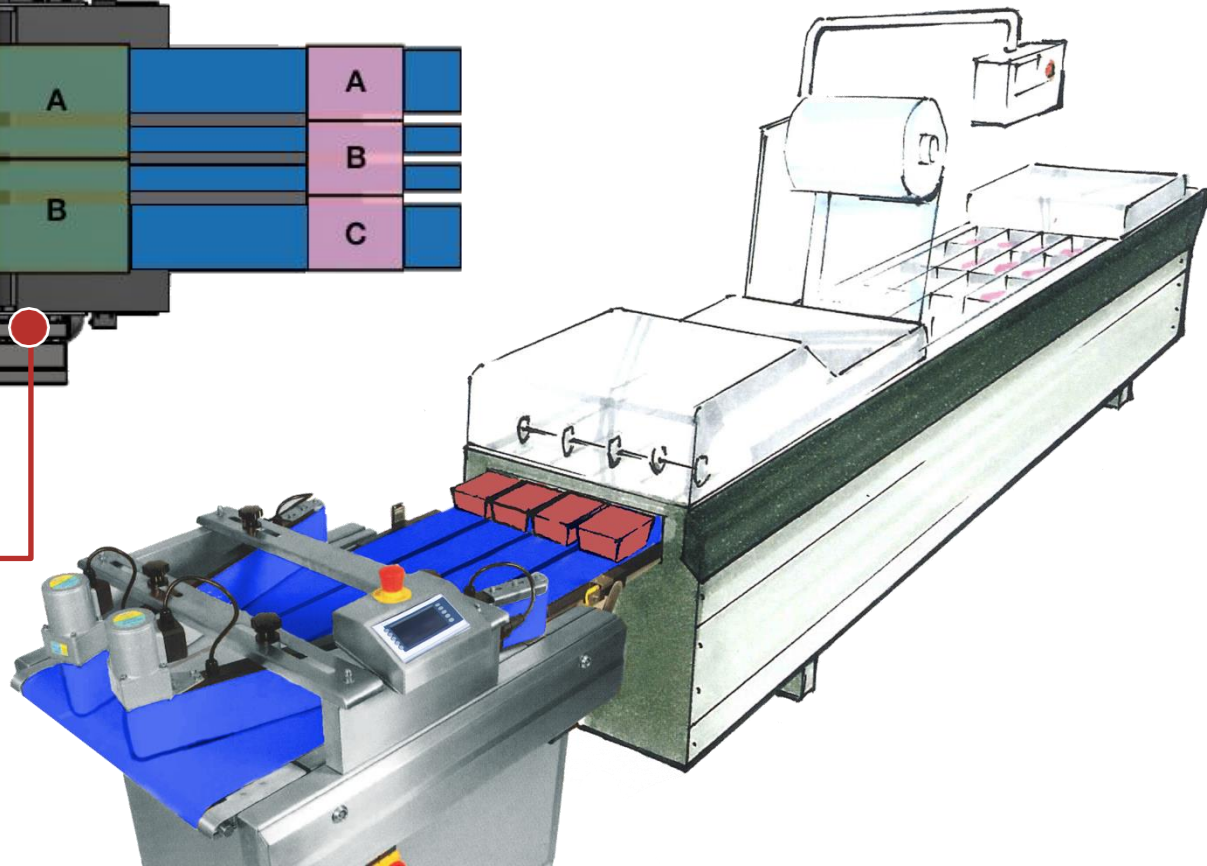
BCS 570 4 Lane Converger  
BCS 670 4 Lane Converger



**Jentonariana**  
Excellence in food packaging automation



BCS 570 Converger 4 Belt  
HMI Selectable 2 Lane / 3 Lane



**DISTRIBUTORS /  
OEMs WANTED!**

CONTACT RICHARD LITTLE

**+44 (0)7720076690**

**[rlittle@jenton.co.uk](mailto:rlittle@jenton.co.uk)**

## About Jenton Group

Jenton, a family run business in Whitchurch, Hampshire, UK have specialised in the design and supply of Packaging, Automation, Bagging, UV Curing and UV disinfection equipment since 1974.

Contact us for more information:



***Jentonariana***

Excellence in food packaging automation

Contact us for more information:

**+44 (0)1256 892194**

**[sales@jenton.co.uk](mailto:sales@jenton.co.uk)**

**[www.jentonariana.co.uk](http://www.jentonariana.co.uk)**

Jenton International Limited, Unit 9-10 Ardglan Industrial Estate, Ardglan Road, Whitchurch, Hampshire, RG28 7BB, UK